



— Introducing The Sign That Will —

Transform Your Parking Lot

This versatile sign can mark anything from accessible parking to curbside pickup and will carry your brand from the store to the parking lot.

With its telescoping design the BumperSign™ meets ADA height requirements across the United States. The impact-absorbing core, protective cover and hidden hardware allow the BumperSign™ to take an impact and make an impact.

Paint-free,
versatile sign
for a consistent,
clean appearance

Flexes on
impact

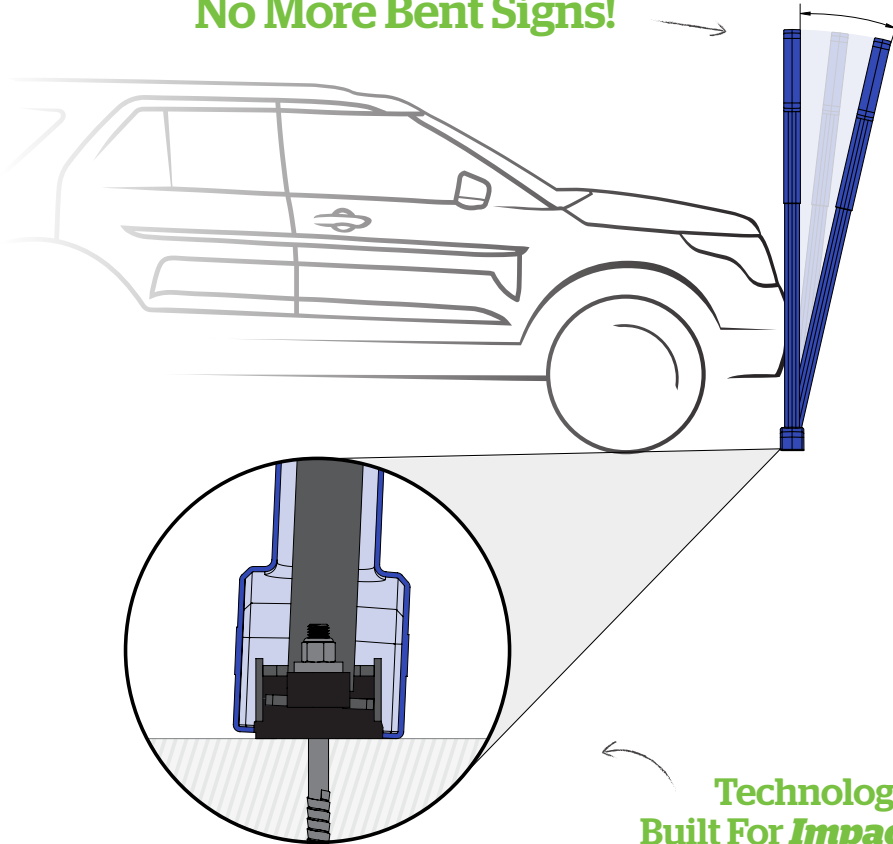
Meets ADA
requirements
across the
United States

Quick & easy
installation in
concrete or
asphalt

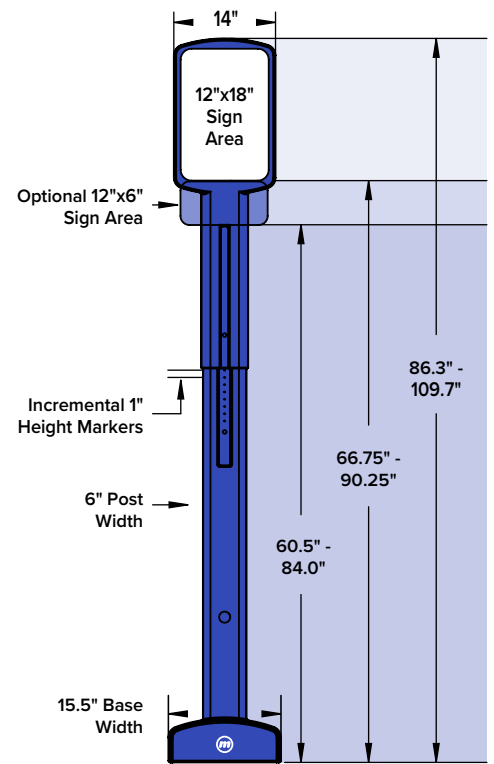




No More Bent Signs!



Can withstand a hit from a mid sized car traveling at 3 ½ mph



One Sign That Fits All

Meets ADA Access Sign Requirements and Regulations